

Cezar®

PERFECTION IN DETAILS

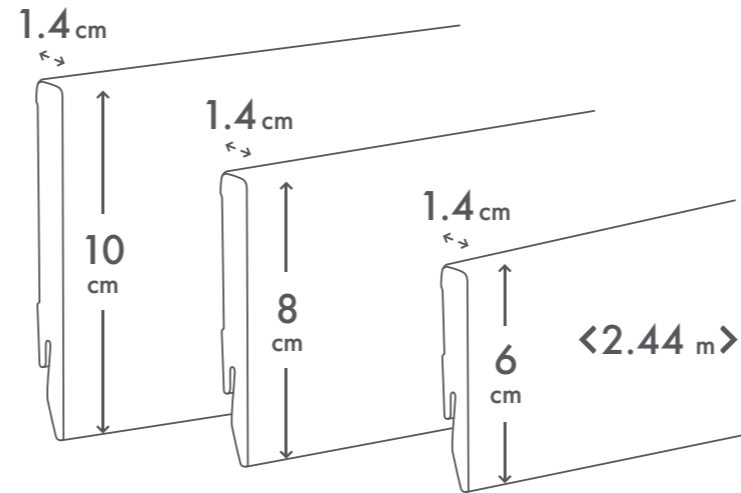
intense

An accent of your floor





## THE INTENSE® SKIRTING BOARDS ARE AVAILABLE IN 3 HEIGHTS:



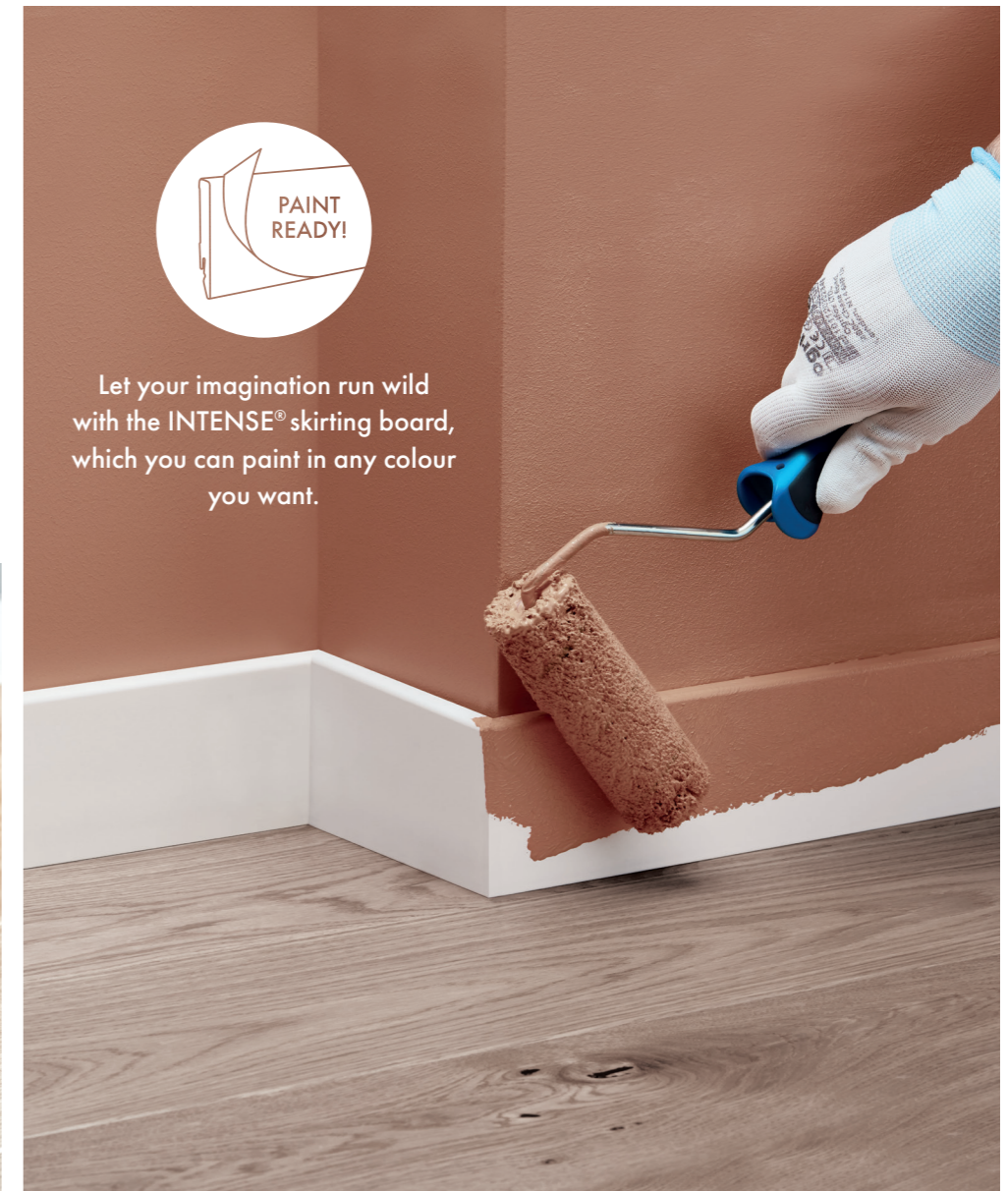
### Comfort of use in the rooms exposed to moisture

The skirting boards made of extruded polystyrene are suitable to assembly in the kitchen or bathroom.



### Durability guarantee

The INTENSE® skirting boards are resistant to the scratches and bumps. They are characterized by high density, therefore, they don't warp.



### Your interior - your rules

INTENSE® skirting board is available in 2 variants: white colour ready to install and prepared for painting.



### Years of peace!

Are you going to use the skirting boards in sunny house interior? No worries! The INTENSE® skirting board is a product fully protected from UV lighting.



### Easy to upkeep

The INTENSE® skirting boards are covered with a layer that protects from excessive dust. You only have to clean them with using mild cleaning products.



### Do you care about the environment? So do we!

You can feel certain that INTENSE® skirting boards are and can be used again in the recycling process.





### Installation on your own?

You will do it fast and without any problems. Choose the best way for you.



### With clip

Screw the clip to the wall with a screw and put a skirting board on it. You can always remove the skirting board from the clip and put it on again.



### Easy to trim

You can cut the skirting board by using the hand saw with thinner blades.



### With clip and leveling spacer

The leveling spacer allows the down section of skirting board to be moved away from the wall by an additional 3 mm, which allows up to 17 mm of the expansion joint to overlap.



### With glue

Traditional and the quickest way to assembly.